

WiFi KIT EXT

Specifications:

Operating Voltage. 5-24 VDC

Input Power. 10W max.

Range. 50 Meters (through two walls)

Band. 2.4GHz



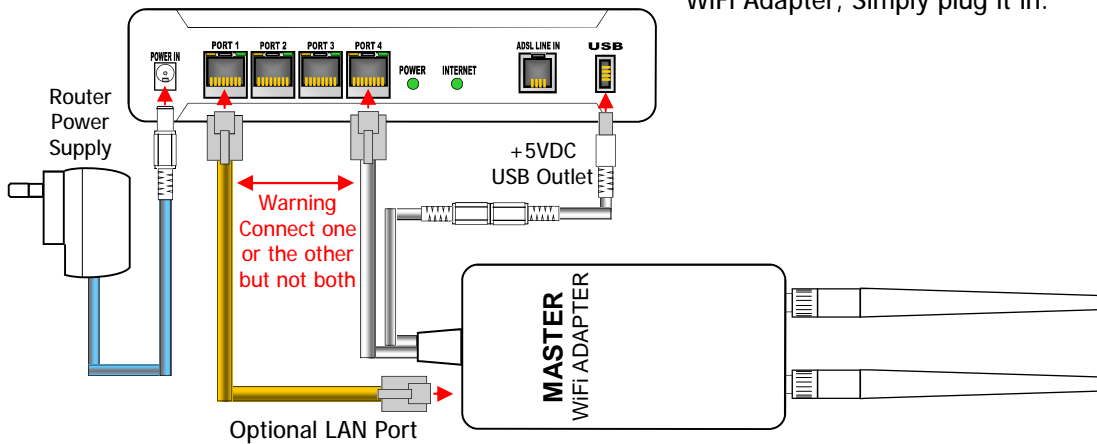
Setup:

The WiFi kit comes with two pre-programmed wireless adapters, one master and one slave.

The Master Adapter connects to the source of the Internet or controlling device and the Slave Adapter connects to the device requiring Internet or being controlled.

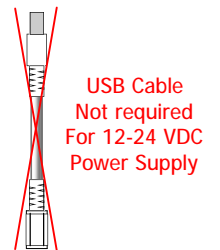
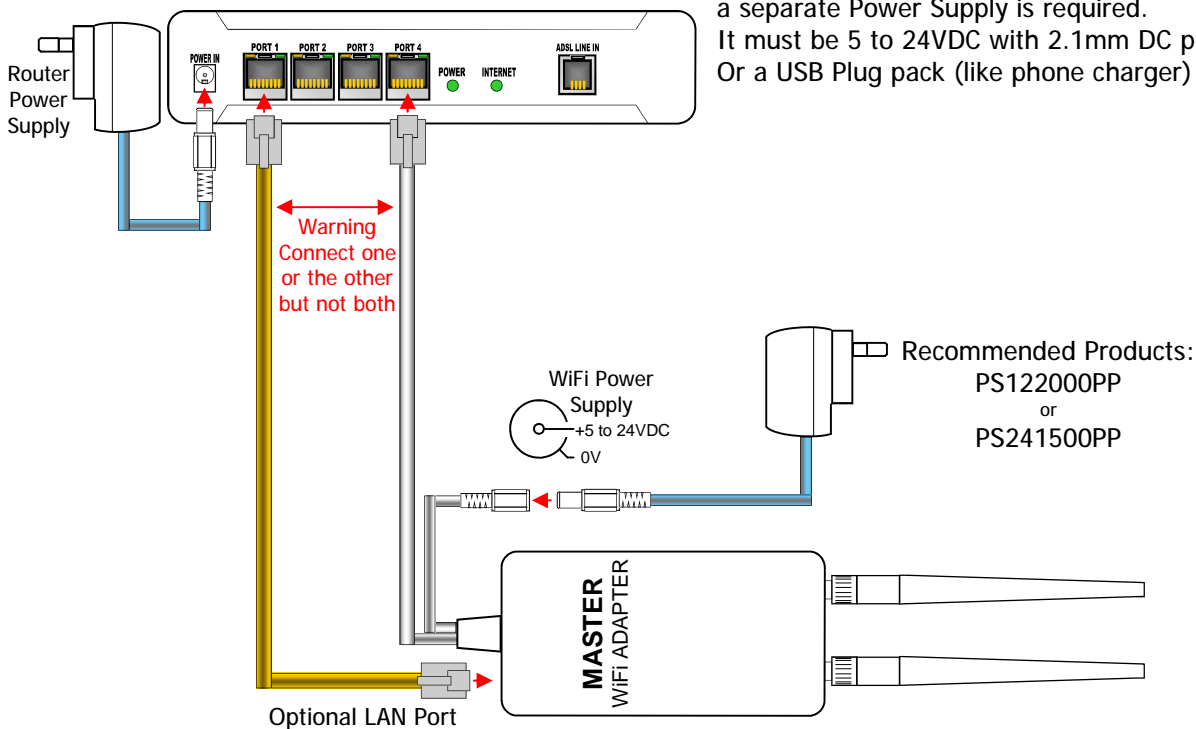
Master Connection Option 1: USB from Router

If the Router has a USB port you can use this to power the Master WiFi Adapter, Simply plug it in.



Master Connection Option 2: Separate PSU

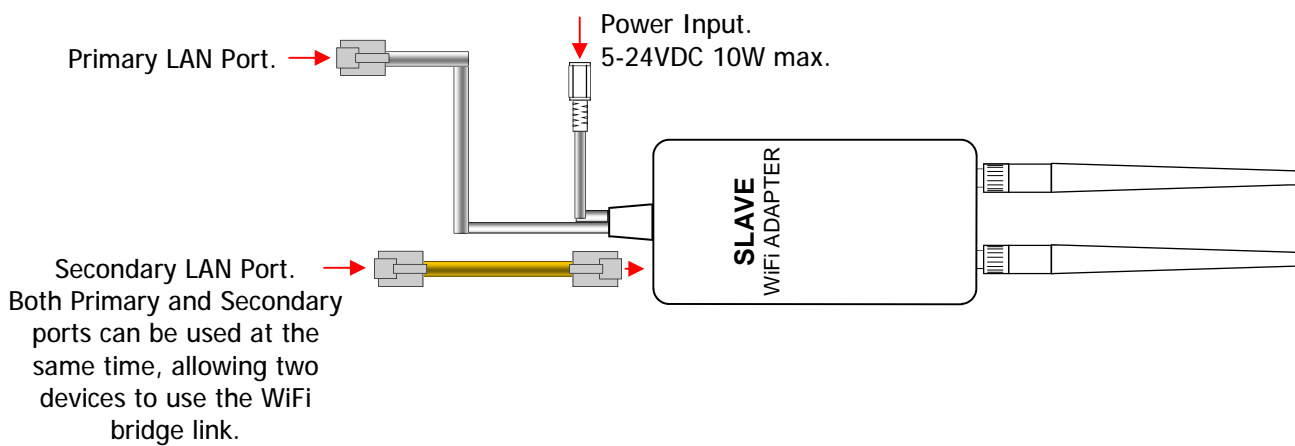
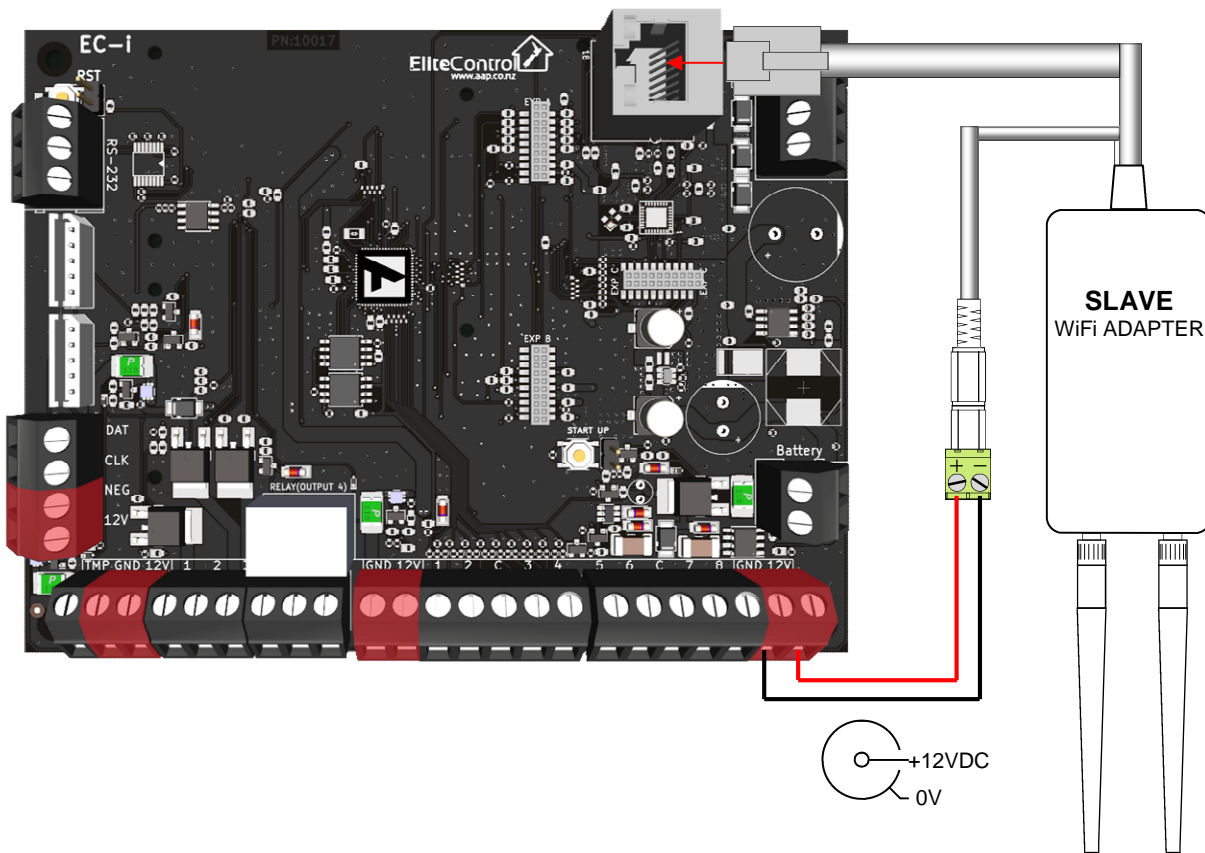
If the Router does not have a USB port, a separate Power Supply is required. It must be 5 to 24VDC with 2.1mm DC plug (positive centre) Or a USB Plug pack (like phone charger) can be used



Slave Connection Option: EC-i (EC-IoT)

The Slave WiFi Adapter can be powered directly off the Alarm system, it is recommend to use the AUX power outlet shown below.

Warning: Double check the Polarity is correct before applying power.



Signal Strength: A Fast flashing Blue Light on the Slave Adapter indicates good signal strength.
A Slow flashing Blue Light on the Slave Adapter indicates bad strength and the adapter should be moved.

Operation: After both Adapters have been connected and powered up, expect an online delay of up to 60 seconds.

A Green Light will start flashing when either adapter can identify a network device connected to it.

Identification: The Adapters are pre-programmed in pairs, a Master and a Slave. You will know they are a matched pair because their serial numbers will sequentially follow each other, starting with the Master.

i.e. Master=295213 Slave=295214 Correct. Master=295215 Slave=295238 wrong Not a Pair